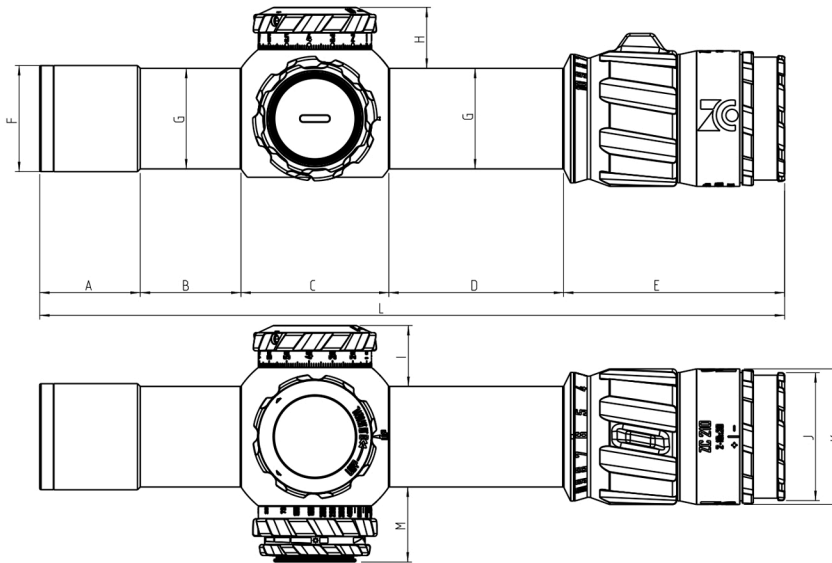


## ZC210 0.1MIL DATASHEET



	A	B	C	D	E	F	G	H	I	J	K	L	M
mm	36	36	53	62.5	80	38	36	22	22	45.75	48.5	267	27
inch	1.42	1.42	2.09	2.46	3.15	1.5	1.42	0.87	0.87	1.8	1.9	10.5	1.06

Magnification	2-10x
Objective diameter (mm)	30 mm
Exit Pupil	12-3 mm/
Field of view max./min. (m/100m)	18.6-4
Field of view max./min. (ft/100Yds.)	55.8'-12"
Parallax adjustment (m)	8-infinity
Eye Relief	>90 mm
Light transmission (%)	92%
Reticle image plane	First Focal Plane
Diopter adjustment (Dpt.)	-3 / +2
Main tube diameter	36 mm
Length	267 mm / 10.5"
Weight	770g / 27.2oz
Elevation adjustment MRAD /100m	46
Windage adjustment MRAD /100m	35
Click value MRAD	0.1 MRAD
Turret rotations	CCW
Filter thread objective (mm)	M35.5x0.75
Impermeability	4m water depth
Temperature function	-13F° (-25C°) / 140F° (60C°)
Illuminated color	Red / Green
Locking Elevation / Windage	Yes
Power Supply	CR2032
AIM™- automatic illumination management	Yes (after 2 mins or depending on position/directionality; after 2 hours complete shutdown)

[www.zcompotic.com](http://www.zcompotic.com)

2023 © Zero Compromise Optic GmbH | All rights reserved. No guarantee for correctness and accuracy of the information contained.

#### Headquarter

Bäckerstraße 1  
2433 Margarethen am Moos, Austria  
+43 2230 20270-134  
sales-international@zcompotic.com

#### North America

9190 Lower Fords Creek Rd  
Orofino, ID 83544  
(208)-435-4000  
sales@zcompotic.com